

# TECHNICAL SPECIFICATION

## CCMS gateway with Modbus, timer and I/O

## AG-831



### Features

- **4G LTE and GSM connectivity**
- **3 independent relay outputs**
- **3 independent NO relay outputs**
- **Opto-isolated RS485 for Modbus RTU**
- **2 opto-isolated digital inputs with SMS alert**
- **Astronomical timer**
- **GNSS for accurate time and location**
- **Internal website for configuration**
- **LAN with PoE**
- **Output control from server and by SMS**
- **Modbus archive data in internal memory**
- **Aluminium compact size casing**
- **DIN rail mounting**

The AG-831 is a Gateway dedicated to work with central controlling and monitoring systems. It support two-way communication with server through LTE/GSM or Ethernet. It has inbuilt timer with 10 ON/OFF schedule within 24h, auto configurable sunrise/sunset timer based on geolocation and has 3 independent relay outputs. Every output can be controlled by separate time schedule. Gateway has isolated Modbus RTU interface to communicate with energy meters, PLCs

and other Modbus devices. Can be configured by: internal website, SMS, string from server and configuration file loaded in predefine URL. For accurate time and location it has GPS and RTC.

Gateway is for use in street light control panels and other application where it is needed to control accurate ON/OFF time with support of Modbus devices. It can be controlled remotely from server or via SMS or also work in stand alone mode.

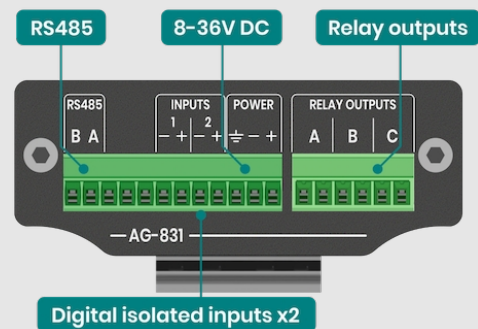
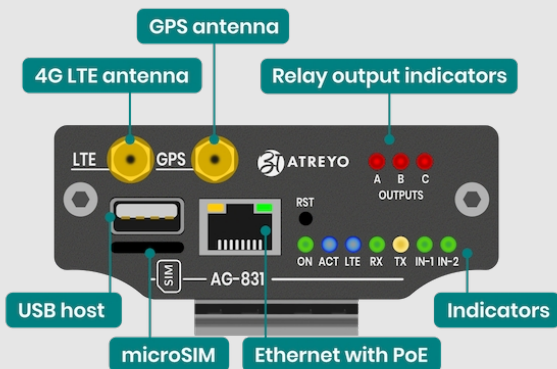
Description	Parameter
<b>Serial RS485</b>	
<b>Port number</b>	1
<b>Interface type</b>	RS485
<b>Data Rate</b>	1200bps ~ 460800bps
<b>Signals</b>	A and B
<b>Connector</b>	Pluggable screw type
<b>Protection</b>	Opto-isolated 2.5 kV RMS per UL 1577
	IEC 61000-4-2 level 4: – 15 kV (air discharge) – 8 kV (contact discharge)

Description	Parameter
	Fail-safe receiver for bus open, short and idle
<b>Ethernet</b>	
<b>Number</b>	1
<b>Type</b>	10/100M port
<b>Connector</b>	RJ45 with LED indicators
<b>Cellular modem<sup>1</sup></b>	
<b>Band</b>	Please refer table of cellular network on page 3 and 4.
<b>SIM card</b>	MicroSIM, push-pull type holder

<sup>1</sup> Apply to LT models. Refer model selection chart. LTE/GSM Bands are mentioned for in Cellular table section on page 3 and 4.

Description	Parameter
	3V/1.8V
<b>Antenna connector</b>	SMA female
<b>GNSS<sup>2</sup></b>	
<b>GNSS systems</b>	GPS, BDS, Galileo, GLONASS, QZSS
<b>Antenna connector</b>	SMA female
<b>Digital inputs</b>	
<b>Input number</b>	2
<b>Input type</b>	Opto-isolated 2.5kV
<b>Configuration</b>	Separate IN-GND
<b>Connector</b>	Pluggable screw type
<b>Max <math>v_{in}</math></b>	30V DC
<b>Logic 1 voltage</b>	3.5V to max $v_{in}$
<b>System functions indicators</b>	
<b>Indicators</b>	PWR – power indicator
	ACT – activity
	TXD – RS485 data indicator
	RXD – RS485 data indicator
	Digital output indicators x 3
	Digital input active indicator x 2
<b>Configuration and system</b>	
<b>Configuration method</b>	SMS specific commands
	Internal website
	String from TCP/IP server
	Remote or local configuration file
<b>Access protection</b>	Password protection
<b>System protection</b>	Watchdog, and configurable guard
<b>OS support</b>	Any latest internet browser

Description	Parameter
<b>Power supply</b>	
<b>Power supply</b>	8-36V
<b>Power consumption</b>	3W average
<b>Connector</b>	Pluggable screw type
<b>PoE</b>	Passive PoE over spare pairs. Not compatible with IEEE802.3af, 802.3at and 802.3bt standards
<b>Protection</b>	Reverse polarity, over voltage
<b>Physical characteristics</b>	
<b>Installation</b>	DIN-Rail, clamp
<b>Housing</b>	Aluminium
<b>Weight</b>	270g
<b>Dimensions</b>	88mm x 87mm x 35mm
<b>Environmental specification</b>	
<b>Operating temp.</b>	-25 ~ 75°C (-13 ~ 167°F)
<b>Storage temp.</b>	-40 ~ 85°C (-40 ~ 185°F)
<b>Ambient RH</b>	5% ~ 95% (non-condensing)



<sup>2</sup> Apply to LT models. Refer ordering chart.

## Cellular modem specification of EU (Europe and India) version

EU version of gateway	Cellular network modem details	
<b>Band LTE FTD</b>	B1/3/5/7/8/20/28	
<b>Band LTE TDD</b>	B38/ 40/ 41	
<b>Band GSM</b>	B2/3/5/8 (900/1800MHz)	
<b>GPRS slot</b>	Multi-slot class 12/10	
<b>Bandwidth</b>	1.4/ 3/ 5/ 10/ 15/ 20 MHz	
<b>Output power</b>	LTE-FDD	Class 3 (23 dBm $\pm$ 2 dB)
	LTE-TDD	Class 3 (23 dBm $\pm$ 2 dB)
	EGSM900	Class 4 (33 dBm $\pm$ 2 dB)
	DCS1800	Class 1 (30 dBm $\pm$ 2 dB)
<b>Maximum data rate</b>	LTE-FDD	10 Mbps (DL)/ 5 Mbps (UL)
	LTE-TDD	8.96 Mbps (DL)/ 3.1 Mbps (UL)
	GSM	85.6 kbps (DL)/ 85.6 kbps (UL)
<b>Power</b>	Compliant to GSM phase 2/2+	
	– Class 4 (2 W 900MHz)	
	– Class 1 (1 W 1800MHz)	

## Standard model list

These are models in regular production. Other models are only made on order with a minimum order quantity. Please [contact us](#) if you require a custom order.

Model	Hardware Options				Backup SuperCAP	More information
	Cellular Network			GNSS		
	GPRS	3G	LTE			
AG-831						Without cellular modem
AG-831-LT-EU	✓		✓	✓		Model for India and EU
AG-831-LT-EU-SC	✓		✓	✓	✓	Model for India and EU

## Table with model structure for ordering

Model Structure	
<b>Model structure example</b>	<b>AG-831- LT-EU-SC</b>
<b>Base model name</b>	
AG-831	
<b>Cellular communication modem</b>	
LT (cellular communication modem present)	
<b>LTE/GSM module regional information</b>	
EU (cellular modem for India and Europe)	
<b>SuperCAP backup</b>	
SC (for last message on power loss)	

## Standard package list

1	AG-831 Gateway	
2	Cellular antenna <sup>1</sup>	Magnet with 3m cable
3	GNSS antenna	Magnet with 3m cable
4	DIN rail clamp with screws	
5	Female 12 pin connector without cable	
6	Female 6 pin connector without cable	

**Please note: The set does not include a power supply.**

---

<sup>1</sup> Models without a cellular modem will also not include cellular and GNSS antennas.

**For more details  
scan or click on  
QR code**



## Copyright

Copyright © 2026 Atreyo Research and Development Pvt. Ltd. This technical specification is protected under national and international copyright laws. No part of this user manual may be reproduced, distributed, translated, or transmitted in any form or by any means, electronic or mechanical, including photocopying, recording, or storing in any information storage and retrieval system, without the prior written permission of Atreyo Research and Development Pvt. Ltd. Copy or use any part of this specifications is prohibited without the prior written permission from the Atreyo Research and Development Pvt. Ltd.

## Trademarks

Atreyo and the Atreyo logo are registered trademarks of Atreyo Research and Development Pvt. Ltd. All other trademarks and copyrights are the property of their respective owners.

## Disclaimer

- The information contained in this Technical Specification is provided "as is" and is subject to change without notice. While every effort has been made to ensure the accuracy and completeness of the information contained herein, Atreyo

Research and Development Pvt. Ltd. assumes no responsibility or liability for any errors or omissions.

- Images used in this specification may differ in appearance from the actual product.
- All dimensions mentioned in the drawings are not to scale and are subject to change and update as may be decided by the Atreyo Research and Development Pvt. Ltd.
- Atreyo Research and Development Pvt. Ltd. makes no warranties, either express or implied, regarding the contents of this document, including but not limited to the implied warranties of merchantability and fitness for a particular purpose.
- Users of this Technical Specification should verify the applicability and suitability of the information and procedures to their particular use. Atreyo Research and Development Pvt. Ltd. shall not be liable for any damages, including but not limited to direct, indirect, special, incidental, or consequential damages, arising from or related to the use or inability to use this Technical Specification or the products described herein.
- By using this Technical Specification, you agree to the terms and conditions stated above. Atreyo Research and Development Pvt. Ltd. has right to make additions, deletions, alterations or amendments as and when it deems fit and proper, without any prior notice.

**Atreyo Research  
& Development Pvt. Ltd.**

**+91 9727741417  
info@atreyo.in**

414, Sunrise Mall, Mansi Circle,  
Ahmedabad, Gujarat, India